

Carbon Torque Tube Accessories



Vertical Fastening / Anti-Rotate



Part Number	Type	Target Torque Tube Model
HFA-TTJ01 (16H-18001)	Stroke length 740mm type	TTR060-4100-04 TTR060-4100-06
16H-18033	Stroke length 1000mm type	TTR060-4100-04 TTR060-4100-06

Tool Holder

Angle Tool



Rotation Type

Part Number	Target Tool Model	Target Torque Tube Model
16H-18014+A (φ40)	HFT-015M50-A1-20	TTR060-4100-02
	HFT-025M80-A1-20	TTR060-4100-04
	HFT-040M80-A1-20	TTR060-4100-06
	HFT-060M80-A-20	(Max. Allowable Torque : 60Nm)
16H-18039 (φ47)	HFT-080M120-A-20	TTR200-4100-05
	HFT-130M120-A-20	TTR200-4100-07
	HFT-200M120-A-20	(Max. Allowable Torque : 200Nm)

Pistol Tool



Rotation Type

Part Number	Target Tool Model	Target Torque Tube Model
16H-19024 (φ32.5)	HFT-015M50-P1	
16H-18036 (φ35)	HFT-030M80-P1D	TTR060-4100-02
	HFT-035M80-P1	TTR060-4100-04
16H-18029 (φ43)	HFT-030M120-P1	TTR060-4100-06
	HFT-050M120-P1	(Max. Allowable Torque : 60Nm)
16H-19004 (φ60)	HFT-060M80-P1-X	
16H-21009 (φ43)	HFT-080M120-P1	TTR200-4100-05
		TTR200-4100-07
16H-22002 (φ56)	HFT-200M120-P1	(Max. Allowable Torque : 200Nm)

Tool Holder

Push Start Tool



Rotation Type

Part Number	Target Tool Model	Target Torque Tube Model
16H-18026 (φ34.4)	HFT-030M80-DP-H	TTR060-4100-02
		TTR060-4100-04
		TTR060-4100-06
		(最大許容トルク : 60Nm)

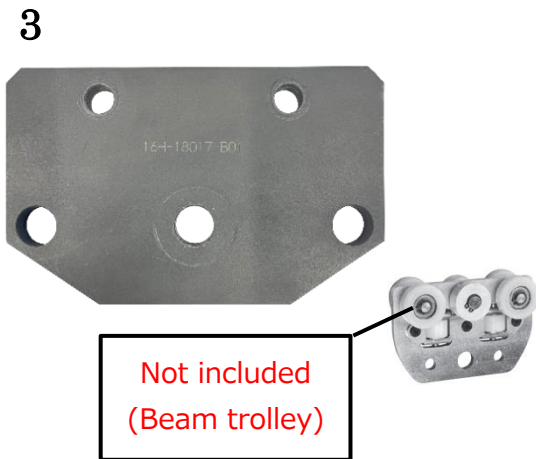
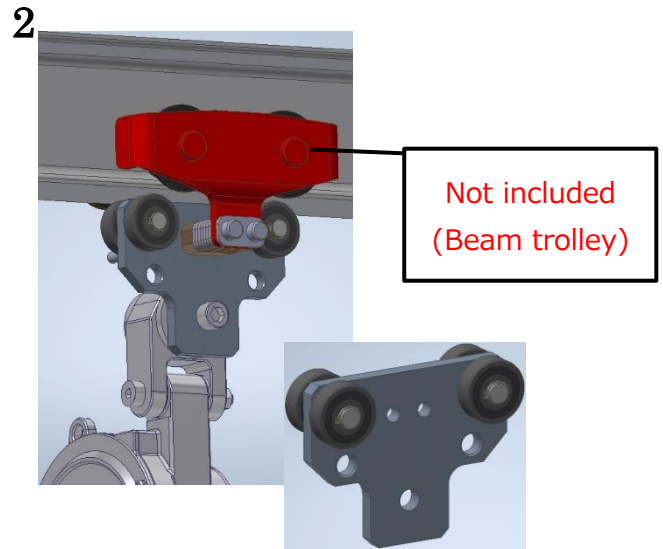
Straight Tool



Fixed Type

Part Number	Target Tool Model	Target Torque Tube Model
16H-19007 (φ43)	HFT-010M50-S1-20	TTR060-4100-02
	HFT-015M80-S1-20	
	HFT-025M80-S1-20	
	HFT-040M80-S-20	
16H-18027	HFT-055M80-S-20	(最大許容トルク : 60Nm)
-	HFT-055M120-S-20	

Bracket For The Rail



Number	Part Number	Type	Target Torque Tube Number
1	HFA-TTK01 (16H-17041)	Tool Rail Pulley bracket (for Daiken: 3-4 WH)	TTR060-4100-02
			TTR060-4100-04
			TTR060-4100-06
			TTR200-4100-05
			TTR200-4100-07
2	16H-24003	I-Beam Beam trolley bracket (for KITO: TMH25)	TTR060-4100-02
			TTR060-4100-04
			TTR060-4100-06
			TTR200-4100-05
			TTR200-4100-07
3	16H-18017-B01	Tool Rail Rail trolley bracket	TTR060-4100-02
			TTR060-4100-04
			TTR060-4100-06
			TTR200-4100-05
			TTR200-4100-07

Custom

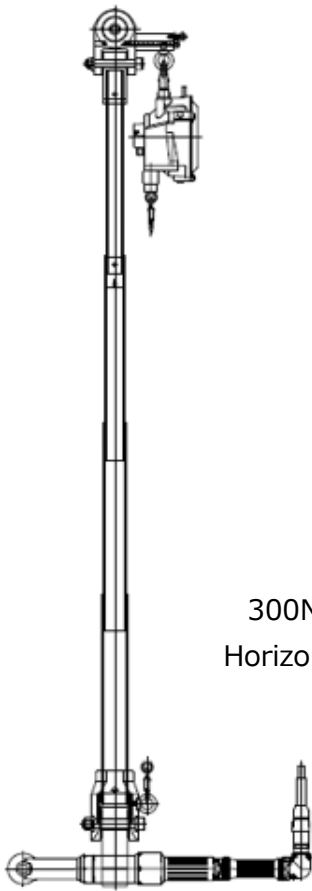
300Nm
Vertical · Sideways move



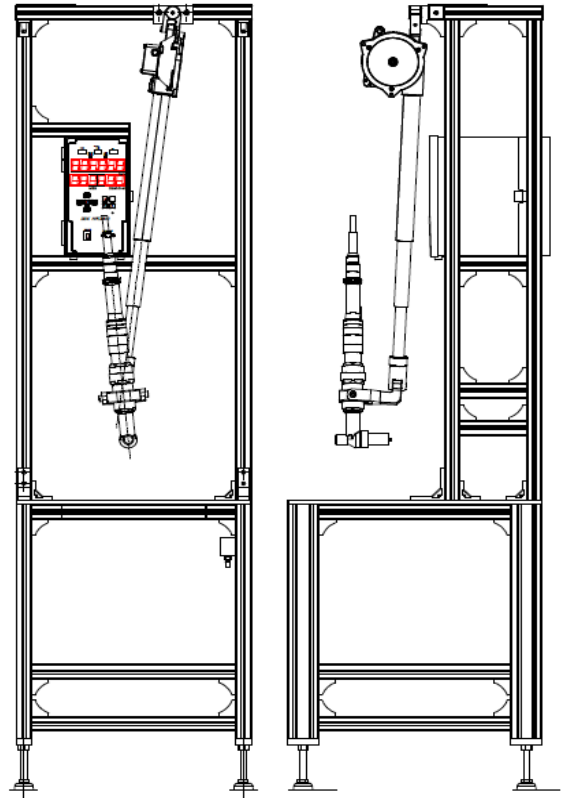
30Nm
Vertical · sideways move



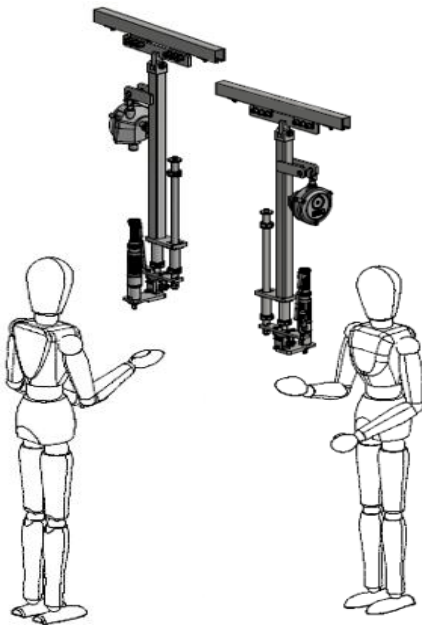
Custom



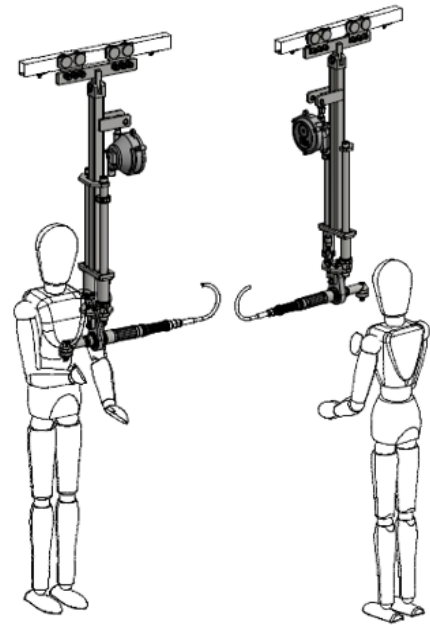
300Nm Long Stroke
Horizontal · Angle Tool



130Nm
Horizontal · Angle Tool



90Nm
Vertical · Straight Tool



200Nm
Vertical · Angle Tool

