

# Sliding Arm **New**

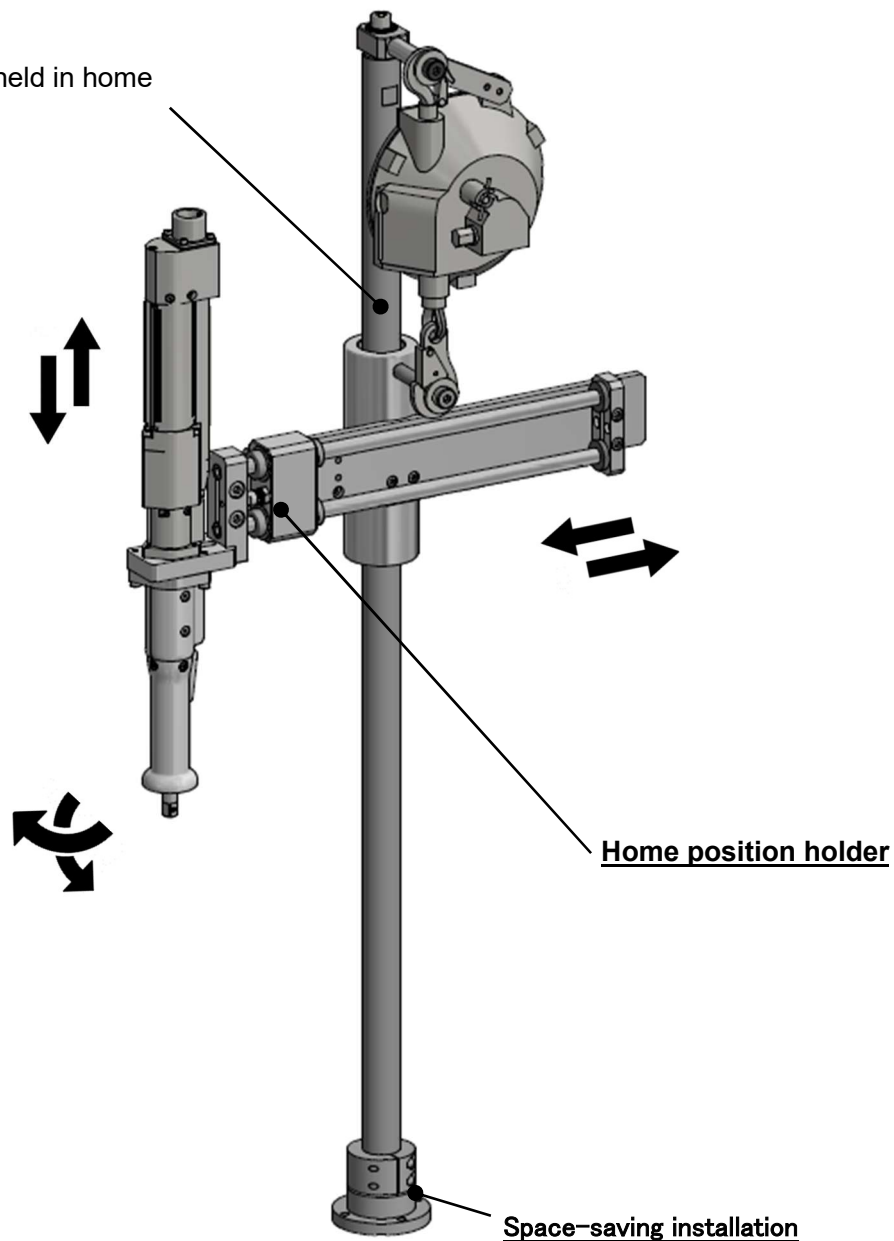
DATE: Apr 23th, 2020

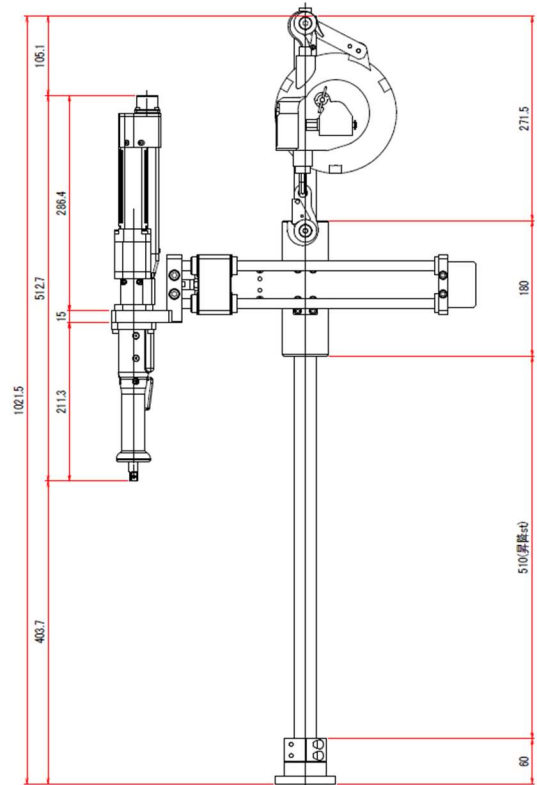
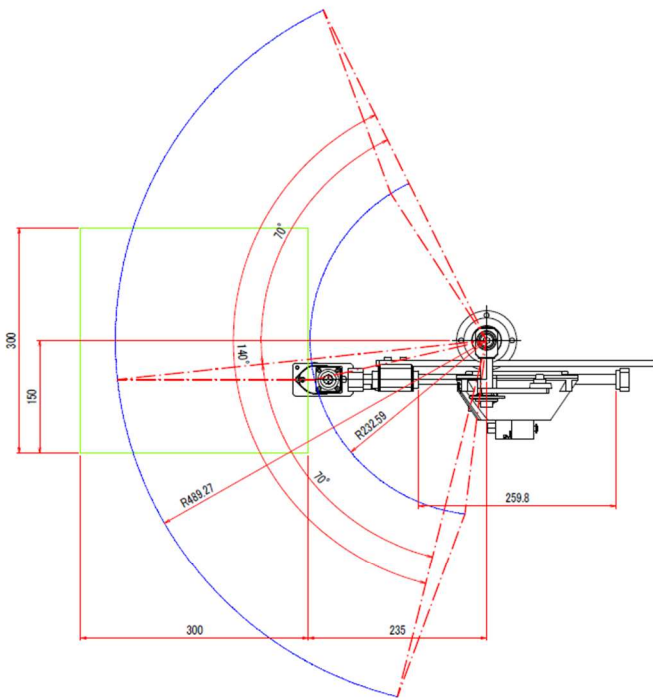
- Space-saving arm (reducing arm width by 65%)
- Cost saving (reducing cost by 50%)
- Available in: AFC3000 Nutrunner; HFC3000 Hand Held Nutrunner; AFC1500 Nutrunner; Micro Nutrunner; and FHT

Sliding Arm shown below has 40 Nm of torque range.


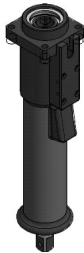


## **Space-saving arm**

The arm is compactly held in home position.





## Grip

	Rotary grip switch	Fixed grip switch	Grip-end switch	Extra Switch *1
Outline view				
Grip	One Hand	One hand	Both hands	One Hand

\*1: Sliding Arm without grip switch is selectable when the HFT tool is used.

NOTE) Our actual Sliding Arm may vary due to design improvements and revisions.



ELECTRICAL ASSEMBLY TOOLS  
**DAI-ICHI DENTSU LTD.**

NUTRUNNER / HAND-HELD TOOL / SERVO PRESS

### Headquarters

1-54-1, Shimoishihara, Chofu-City, Tokyo 182-0034 Japan  
TEL: +81-424-40-1465 FAX: +81-424-40-1436  
URL: <http://www.daiichi-dentsu.co.jp>  
E-mail: [sales@daiichi-dentsu.co.jp](mailto:sales@daiichi-dentsu.co.jp)

### Kani Plant

690-1 Omori, Kani-City, Gifu, 509-0238 Japan  
TEL: +81-574-62-5865 FAX: +81-574-62-3523

