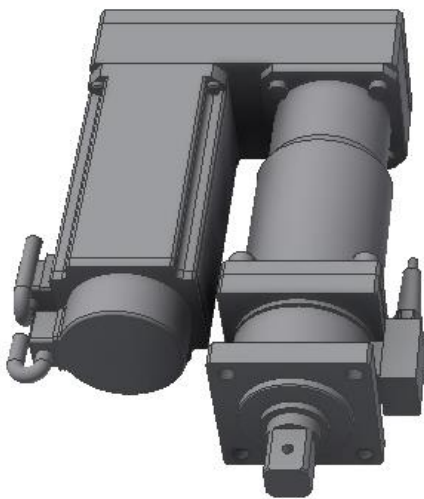


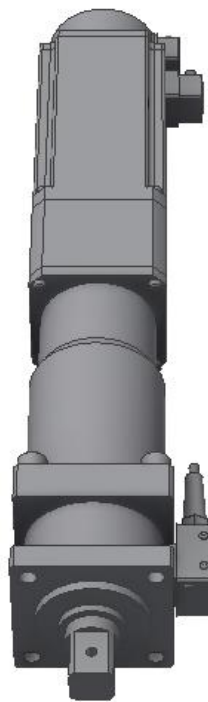
New Tools for Nutrunner (502, 802)

DATE : June 19, 2018

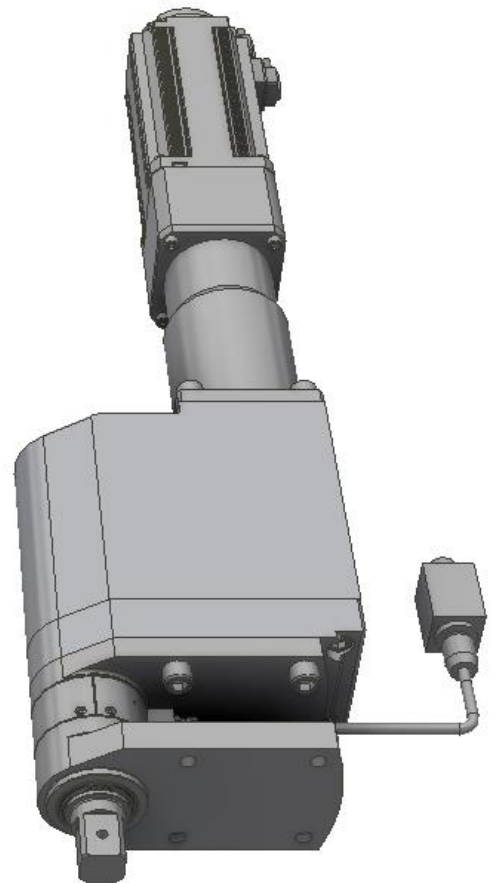
•Increasing maximum Speed by 26%



NFT-802RM4H-SU



NFT-802RM4H-S



NFT-802RM4H-O

Tool specifications

Straight tool

NEW
NEW

Model	Torque Range (Nm)	Max Speed (rpm)	Total Length (mm)	Weight (kg)	Square Drive (mm)
NFT-502RM4H-S	490	190	500	13.5	□25.4(1")
NFT-802RM4H-S	784	120	566	15.0	□25.4(1")
NFT-113RM4H-S	1078	95	618	22.0	□38(1 1/2")
NFT-153RM4H-S	1470	70	633	29.0	□38(1 1/2")

Offset tool

	Model	Torque Range (Nm)	Max Speed (rpm)	Total Length (mm)	Weight (kg)	Square Drive (mm)
NEW	NFT-502RM4H-O	490	190	692	23.5	□25.4(1")
NEW	NFT-802RM4H-O	784	120	788	31.0	□25.4(1")
	NFT-113RM4H-O-X18002	1094	84	819	(51.3)	□38(1 1/2")

Type U

	Model	Torque Range (Nm)	Max Speed (rpm)	Total Length (mm)	Weight (kg)	Square Drive (mm)
NEW	NFT-502RM4H-SU	490	190	346 (254)	15.5	□25.4(1")
NEW	NFT-802RM4H-SU	784	120	349 (254)	17.0	□25.4(1")

NOTE) Specifications and designs of the products are subject to change without notice due to improvements.



ELECTRICAL ASSEMBLY TOOLS
DAI-ICHI DENTSU LTD.

NUTRUNNER / HAND-HELD TOOL / SERVO PRESS

Headquarters

1-54-1, Shimoishihara, Chofu-City, Tokyo 182-0034 Japan
TEL : +81-424-40-1465 FAX : +81-424-40-1436
URL : <http://www.daiichi-dentsu.co.jp>
E-mail : sales@daiichi-dentsu.co.jp

Kani Plant

690-1 Omori, Kani-City, Gifu, 509-0238 Japan
TEL : +81-574-62-5865 FAX : +81-574-62-3523

